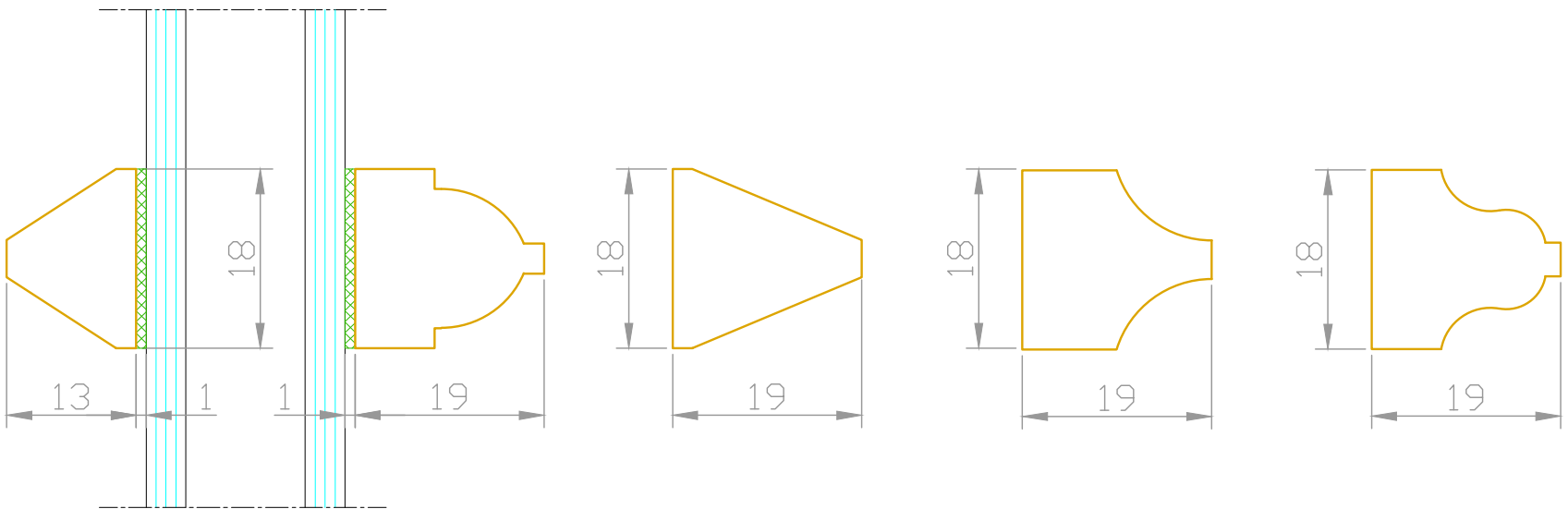
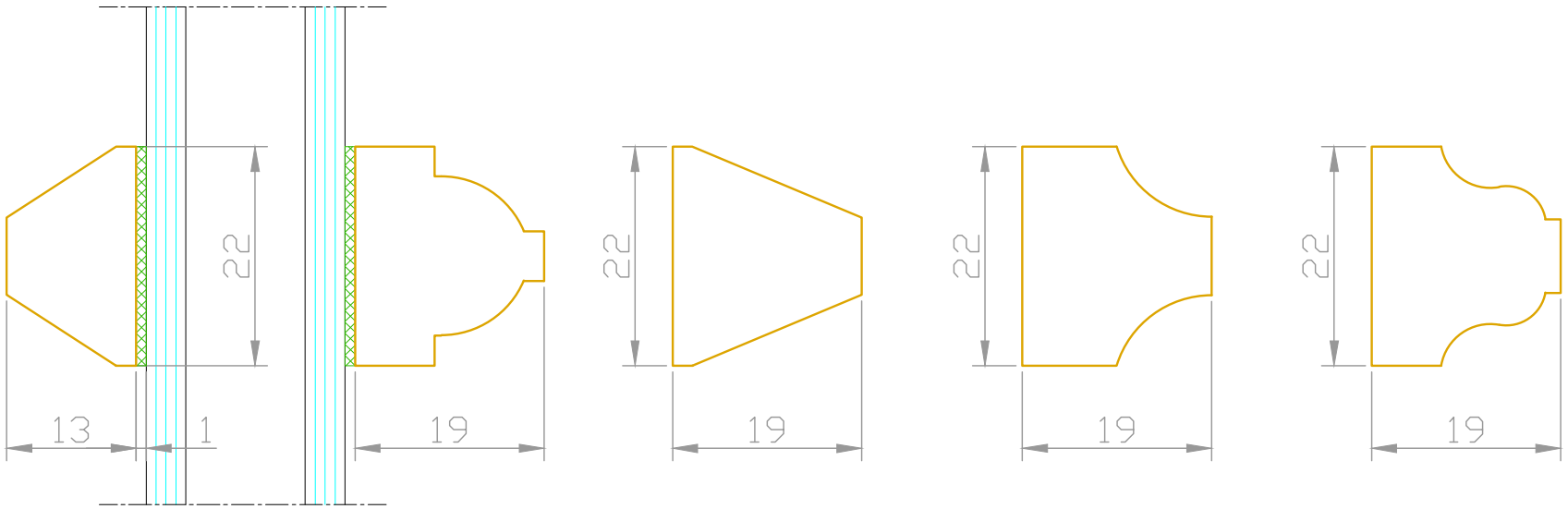


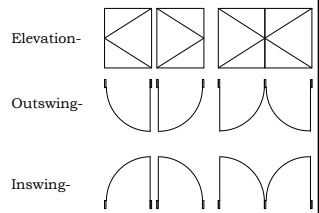
# GLAZING PROFILES



**PRODUCT SPECIFICATION**

- **EXTERIOR:**  
FJ PINE / CLAD(COLOUR TBC)
- **INTERIOR:**  
FJ PINE PAINTED(COLOUR TBC)
- **WINDOW HARDWARE:**  
TBC
- **DOOR HARDWARE:**  
TBC
- **GLAZING:** LOW E II WITH ARGON
  - ①-Tempered
  - ②-Obscure
  - ③-Triple glazed
- **GLAZING DESIGN:**  
22m GLAZING BAR WITH SPACER SILVER/WHITE/BRONZE BAR AS SHOWN

● **WINDOW/DOOR HANDLING**



ALL UNITS SHOWN ARE VIEWED FROM THE EXTERIOR

DO NOT SCALE FROM THIS DRAWING.  
USE FIGURED DIMENSIONS ONLY.  
THIS SCHEDULE TO BE READ IN CONJUNCTION WITH  
-  
-  
THIS DRAWING IS COPYRIGHT AND MAY ONLY BE REPRODUCED WITH SIGNATURE WINDOWS PERMISSION.

C:\Users\dloyrne\Desktop\1.png

Stephen St, Dunlavin  
Co-Wicklow.  
Tel :045 401000  
Fax:045 401001  
E-Mail:sales@signaturewindows.ie

CLIENT: GLAZING PROFILES

SITE ADDRESS: STEPHEN STREET  
DUNLAVIN  
CO.WICKLOW

DATE: 01/03/2016 SCALE: N/A

DRAWING NO. 1 DRAWN BY: TH

I agree with the above quantities, unit types, sizes, design and openings  
SIGNED: \_\_\_\_\_ DATE: \_\_\_\_\_

NOTE: All dimensions shown above are block opening dimensions.  
Suitable fitting tolerances are included in sizes shown